

**KALORIK**



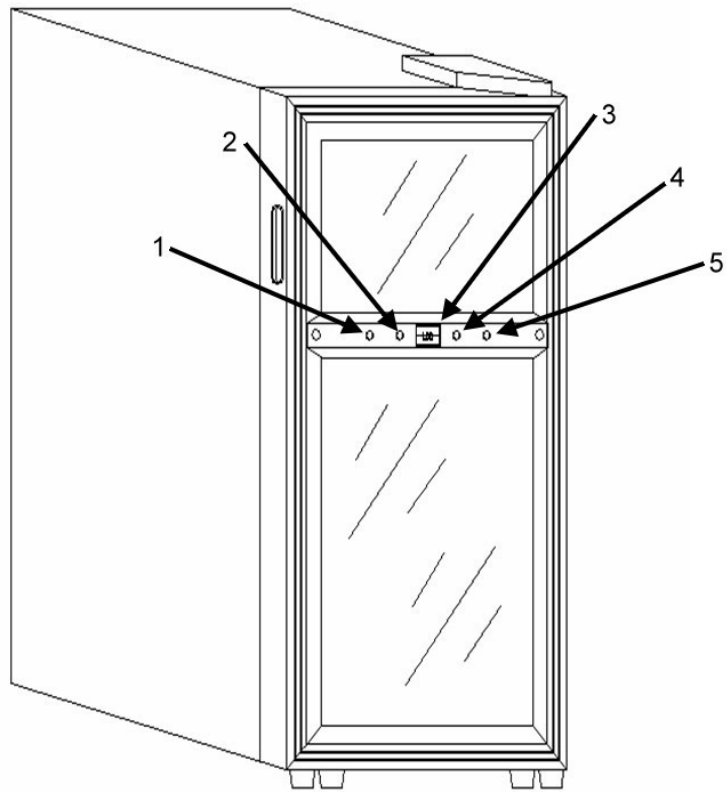
[www.KALORIK.com](http://www.KALORIK.com)



**Wine cellar**

**Bodega**

**USK WCL 2**  
**120V~130W**



**GB**

- 1 "Temp +" for upper zone
- 2 "Temp -" for upper zone
- 3 LCD display
- 4 "Temp +" for lower zone
- 5 "Temp -" for lower zone

**ES**

- 1 "Temp +" de la zona superior
- 2 "Temp -" de la zona superior
- 3 Pantalla LCD
- 4 "Temp +" de la zona inferior
- 5 "Temp -" de la zona inferior

# **EN OPERATING INSTRUCTIONS**

## **IMPORTANT SAFEGUARDS**

- ❑ After removing the wine cooler from the package, make sure it is in good condition. In case of doubt, do not use it and contact an authorized service center.
- ❑ Plastic bags, nails, etc. should be kept out of the reach of children
- ❑ Check that your mains voltage corresponds to that stated on the appliance.
- ❑ Never leave the appliance unsupervised when in use.
- ❑ Never leave the appliance unsupervised when taking beverages out or putting them in the cooler. Keep out of reach of children or incompetent persons.
- ❑ From time to time check the cord for damages. Never use the appliance if cord or appliance shows any signs of damage.
- ❑ Never move the appliance by pulling the cord. Make sure the cord cannot get caught in any way. Do not wind the cord around the appliance and do not bend it. Keep the power cord away from sources of heat.
- ❑ Only use the appliance for domestic purposes and in the way indicated in these instructions.
- ❑ Should the cord be damaged, it must be replaced by a competent qualified service<sup>(\*)</sup>.
- ❑ Never use the appliance near hot surfaces or in the sunlight.
- ❑ Never use the appliance outside and always place it in a dry environment.
- ❑ Stand the appliance on a table or flat surface in order to avoid its fall. Ensure that there is at least a 10cm clearance at the sides, an 8cm clearance at the back of the cooler in order to allow adequate ventilation. Kitchen units (cupboards) should be at least 5cm away from the appliance in order to assure adequate ventilation.
- ❑ Do not place any other object on top of the appliance.
- ❑ Do not use extension cords

- ❑ Never use accessories that are not recommended by the producer. They could constitute a danger to the user and risk to damage the appliance.
- ❑ Plug the appliance immediately into the power outlet, do not use any extension cord or multiple power socket.
- ❑ This cooler is designed to store wine bottles, however, if placing food inside, ensure that there is sufficient airflow between items.
- ❑ Do not place hot beverages into the appliance but let them cool down to room temperature before.
- ❑ Close the cooler door immediately after putting in any items so the inside temperature will not rise dramatically.
- ❑ When positioned or if moving the appliance, ensure that it is not set horizontally or declined less than 45° or turned upside down.
- ❑ Should you notice any kind of damage on the appliance, please unplug it immediately and contact a competent qualified service.
- ❑ All repairs should be made by a competent qualified service.
- ❑ To reduce the risk of fire, replace only with same type fuse
- ❑ Unplug the appliance before cleaning or when it is not in use.
- ❑ To avoid risk of child entrapment, leave the shelves in place so children cannot easily climb inside even when the appliance is in routine use or not in use at home.
- ❑ Avoid direct sunshine and high temperature.

## SAVE THESE INSTRUCTIONS

Save time and money. Before you call for service, check at the back of this manual. It lists causes of minor operating can correct yourself.

**Warning: Changes or modifications to this unit not expressly approved by the manufacturer could void the user's authority to operate the equipment**

## POLARIZED PLUG INSTRUCTIONS

Some appliances are equipped with a polarized plug (one blade is wider than the other). To reduce the risk of electric shock, this plug will fit into the polarized outlet only one way. If the plug does not properly fit into the outlet at first, reverse it. If it still does not fit, contact a competent qualified electrician.

**Do not attempt to modify the plug in any way.**

For appliances equipped with a standard plug, simply insert the plug into the outlet without paying attention to the way you plug it.

## SHORT CORD INSTRUCTIONS

A short power supply cord is provided to reduce the hazards resulting from becoming entangled in, or tripping over a longer cord.

Extension cords may be used if care is exercised in their use.

- The electrical rating of the extension cord should be at least that of the appliance. If the electrical rating of the extension cord is too low, it could overheat and burn.
- The resulting extended cord should be arranged so that it will not drape over the counter top or tabletop where it can be pulled on by children or tripped over.

### TECHNICAL DATA

Volume	52 litres
Capacity	18 bottles of 750 ml
Adjustable temperature	45°F to 65°F (7°C – 18°C)
Without CFC	

## Placing the appliance

Use the adjustable iron case to place the cellar fully horizontal.

## OPERATION

**CAUTION: Before connecting the appliance to electrical power supply, leave it to stand for about 4 hours, which will reduce the**

### **possibility of malfunctions in the cooling system due to transport handling.**

- Before use, clean the appliance thoroughly, especially in the interior (See Cleaning and Maintenance).
- In case the interior accessories are not correctly placed, rearrange them properly.
- Make sure that your mains voltage corresponds to that stated on the appliance.
- Stand the appliance on a stable surface near a power socket.
- Plug in the appliance to an earthed wall outlet.

## **Temperature control and display**

The upper zone of the appliance is for storage of white wine with temperature from 45°F to 54°F (7°C to 12°C) The lower zone is for storage of red wine with temperature range from 54°F to 65°F (12°C to 18°C).

The temperature range of the wine cooler is intended for 45°F to 65°F (7°C to 18°C).

Average temperature for red wine is 54°F to 65°F (12°C to 18°C).

Average temperature for white wine is 45°F to 54°F (7°C to 12°C).

The display usually shows the average temperature of the appliance at that moment.

## **Manual temperature setting**

The temp-adj button is set on one certain point when the cellar is off the assembling line. When you want to change the temperature in the cabinet, please select the right zone and change accordingly.

The temperature of the wine cooler can be set anywhere between 45°F to 65°F (7°C to 18°C) by the temperature up “△”and temperature down “▽”pads as follows:

- 1) There are four buttons on the panel: on the left, push “Temp △” to increase the temperature or push “Temp ▽” to decrease the